



584, 740

Precision level

Stock No.584

Mini-level

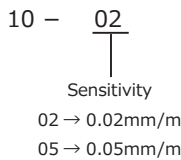
- Despite their small size of 100mm, these levels have accuracy equivalent to JIS Grade A.
- A leather case is attached to carry these levels and measure horizontality accurately outdoors.



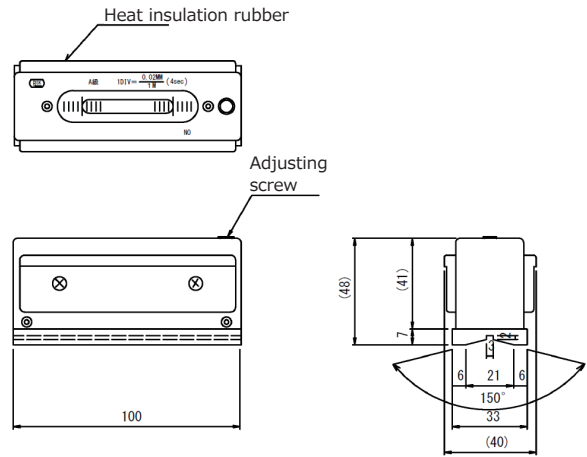
Features

- These levels have an "air chamber" to manually adjust the length of the bubbles. The air chamber reduces measurement errors caused by temperature changes.
- To increase the wear resistance, the bottom of these levels is hardened. (Hardness: HS 65 or more)

Configuration of stock number



Dimensional drawing Unit : mm



Material : SKS3 (measuring planes)

Package : Leather case, Carton

Accessories : Hexagonal wrench,

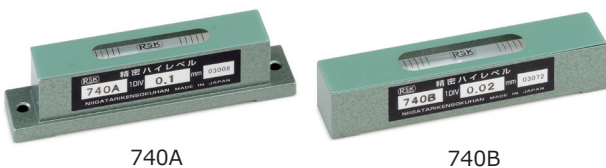
Certificate of inspection, and instruction manual

Product No	Stock No	Size (mm)	Sensitivity (mm/m)	Weight (kg)
10-02	584-1002	100	0.02	0.5
10-05	584-1005		0.05	

Stock No.740

High-level

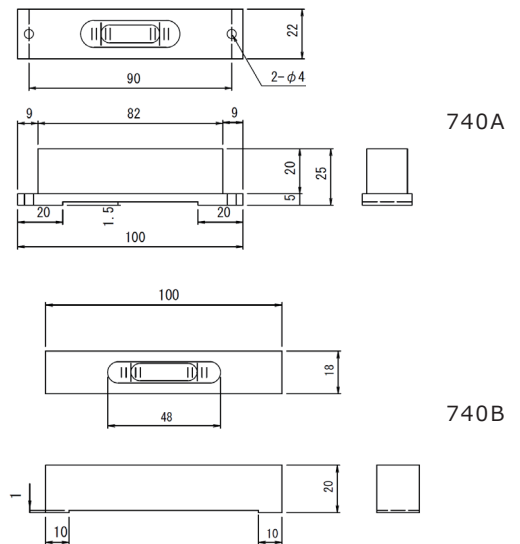
- These levels do not require centering of the bubbles.
- Just putting them on a place to measure, and the horizontality can be measured.
- These levels are the smallest of our products.
- They are optimal for measuring horizontality in a narrow space.



740A

740B

Dimensional drawing Unit : mm



740A

740B

Material : Cast iron

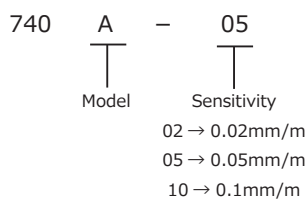
Package : Carton

Accessories : Certificate of conformity

Features

- Model 740A has a hole (φ4) in both ends. It can be used with it fixed.
- Models 740A and 740B have accuracy equivalent to the flat-type levels for general works.

Configuration of stock number



Product No	Stock No	Sensitivity (mm/m)	Weight (kg)
22-740A-05	740A05	0.05	0.19
22-740A-10	740A01	0.1	
22-740B-02	740B02	0.02	0.15
22-740B-05	740B05	0.05	
22-740B-10	740B01	0.1	