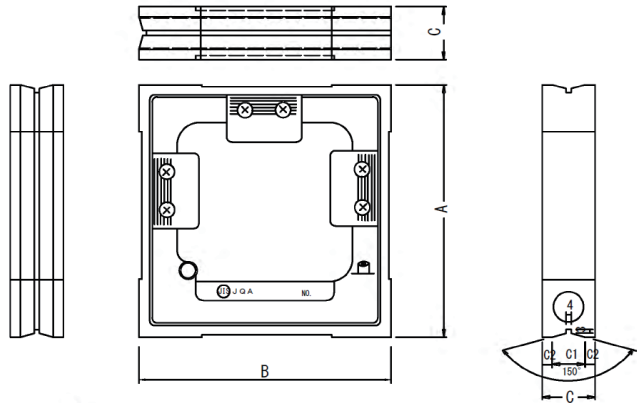


Stock No.541AA

Precision square level (Grade A-AA)

- These levels have highly accurate squareness. They are ideal measurement standards for squareness measurements.
- Grade A-AA is our original standard. The measurement accuracy of Grade A-AA is better than JIS Grade A.
- These levels can measure the horizontality of cylindrical items.

■ Dimensional drawing Unit : mm



呼び寸	A	B	C	C1	C2
150	150	150	40	24	8
200	200	200	42	26	8
250	250	250	48	34	8
300	300	300	50	34	8

Features

- These levels are manufactured and inspected in accordance with JIS B 7510.
- These levels have an "air chamber" to adjust the length of the bubbles. Even if the bubbles are or lengthened due to temperature changes, an inclination can be measured correctly by adjusting the length manually.

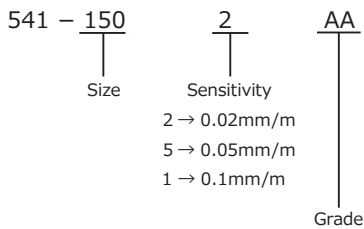
Material: Cast iron

Package: Wooden box or Carton

Accessories: Hexagonal wrench,

Certificate of inspection, and Instruction manual

Configuration of stock number



Product No	Stock No	Size (mm)	Sensitivity (mm/m)	Squareness (±μm)	Weight (kg)
01-02-150	541-1502AA	150	0.02	2.2	2.1
01-02-200	541-2002AA	200		3.0	3.8
01-02-250	541-2502AA	250		3.7	5.8
01-02-300	541-3002AA	300		4.5	7.5
01-05-150	541-1505AA	150	0.05	3.7	2.1
01-05-200	541-2005AA	200		5.0	3.8
01-05-250	541-2505AA	250		6.2	5.8
01-05-300	541-3005AA	300		7.5	7.5
01-10-150	541-1501AA	150	0.1	3.7	2.1
01-10-200	541-2001AA	200		5.0	3.8
01-10-250	541-2501AA	250		6.2	5.8
01-10-300	541-3001AA	300		7.5	7.5