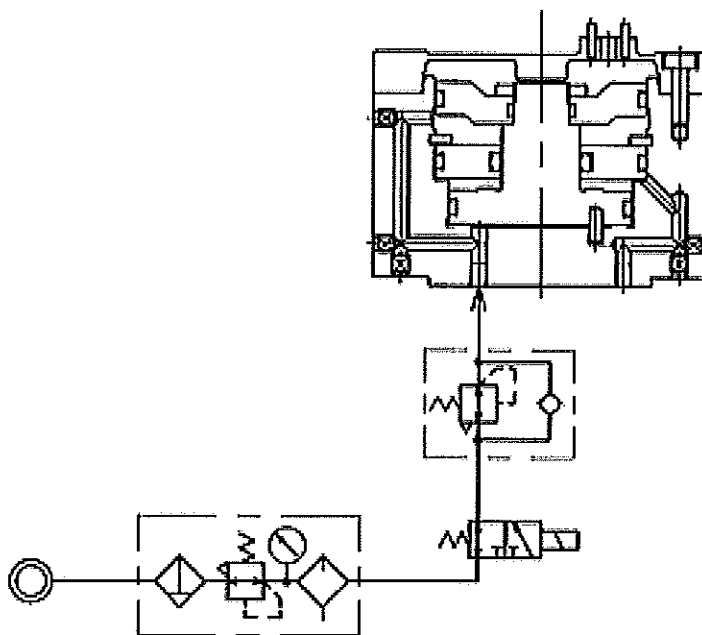
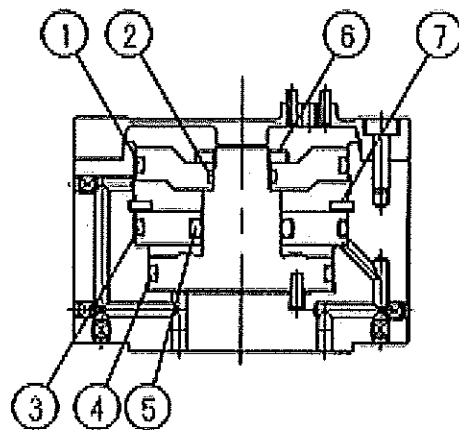


## Operation System Diagram



## Consumables and Parts



| No. | NV-2 | NM-2.4  | NV2.7   |
|-----|------|---|---|
| ①   |      | S35   | S44   |
| ②   |      | S10   | S12   |
| ③   |      | S35   | S42   |
| ④   |      | P14   | P16   |
| ⑤   |      | S30   | S38   |
| ⑥   |      | STMTR10-7.5-2                                 | STMTR12-1.0-3                                 |
| ⑦   |      | C-type retaining ring<br>for hole; nominal 38 | C-type retaining ring<br>for hole; nominal 45 |