

Stock No.610

Dial stand

- These dial stands are optimal for comparative measurements of workpiece thickness.
- The brackets of RS-2 and RS-3 have an inching mechanism. They are useful for measurements requiring fine adjustments.



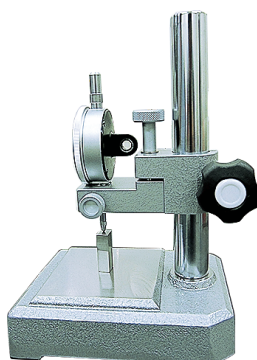
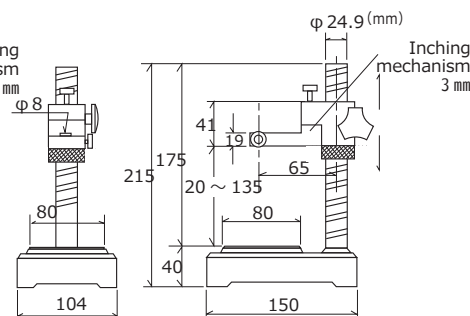
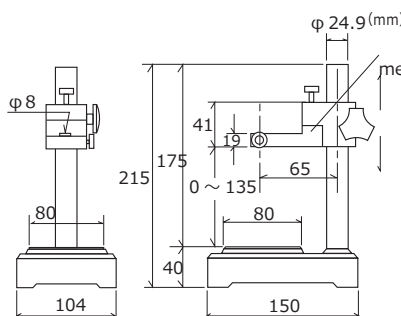
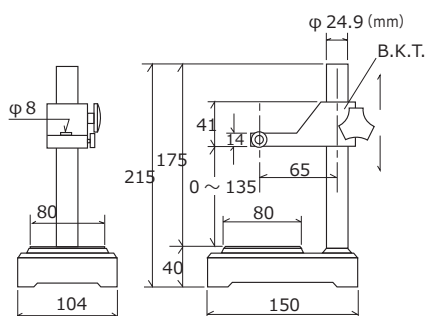
RS - 1



RS - 2



RS - 3



Material : Cast iron (Base, B.K.T.)

Package : Dedicated storage box

Configuration of product code

610 - RS 1
 |
 1 → RS-1
 2 → RS-2
 3 → RS-3

Product No	Stock No	Model	Base size (mm)	Measurable range (mm)	Fine movement range (mm)	Weight (kg)
54-1	610-RS1	RS-1	80 × 80	0 ~ 135	---	3.4
54-2	610-RS2	RS-2			3	
54-3	610-RS3	RS-3		20 ~ 135	3	