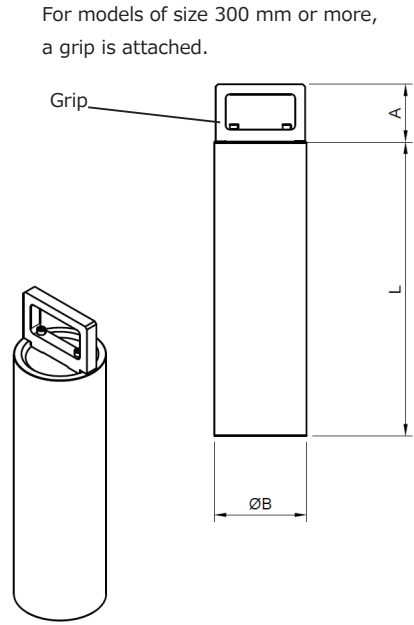
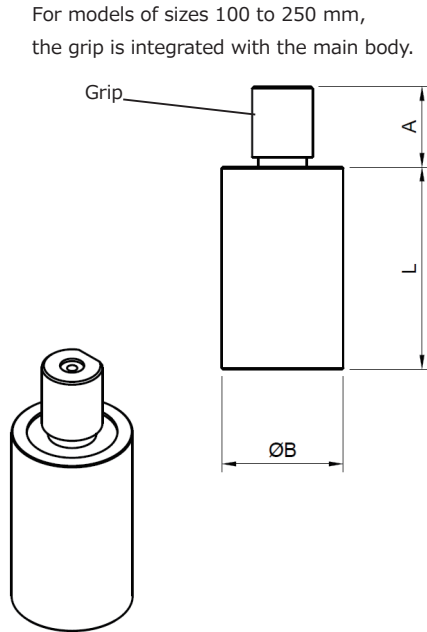


Stock No.551

## Cylindrical square

- These squares have the highest angularity of any squares.
- These squares are provided with a grip to prevent any effect from body heat when they are used.
- All models are hardened.

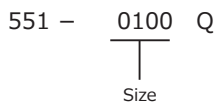
■ Dimensional drawing Unit : mm



Size(L)	φ B	A
100	60	40
150	70	50
200	80	60
250	90	75
300	100	71
350	110	72
400	120	72
500	130	87
600	160	89
800	200	110
1000	240	134
1200	250	134

Material : SKS3  
 Package : Wooden box  
 Accessories: Certificate of inspection, and  
 Instruction manual

### Configuration of stock number



Product No	Stock No	Size	Squareness (±μ m)	Weight (kg)
35-0100	551-0100Q	100	2.5	2.5
35-0150	551-0150Q	150	2.7	4.9
35-0200	551-0200Q	200	3.0	8.3
35-0250	551-0250Q	250	3.3	13
35-0300	551-0300Q	300	3.5	17
35-0350	551-0350Q	350	3.8	19.4
35-0400	551-0400Q	400	4.0	21
35-0500	551-0500Q	500	4.5	30.5
35-0600	551-0600Q	600	5.0	48
35-0800	551-0800Q	800	6.0	84.1
35-1000	551-1000Q	1000	7.0	170
35-1200	551-1200Q	1200	8.0	190