

Stock No.574

Cross test level with vertical measurement

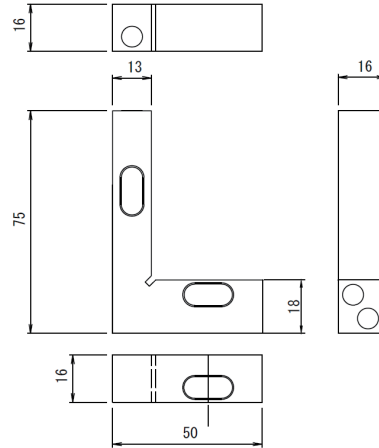
• A simplified level that is useful to measure the horizontality in the X-axis and Y-axis directions.



Features

- The cast-iron body is plated.
- The exterior and interior angles are grinded to ensure accuracy of measurements.

■ Dimensional drawing Unit : mm



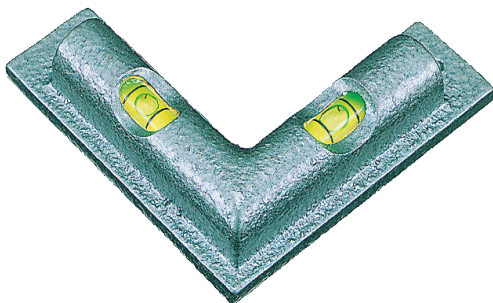
Material : Cast iron
Package : Carton

Product No	Stock No	Weight (kg)
19-75	574-75HV	0.18

Stock No.575

Cross test level

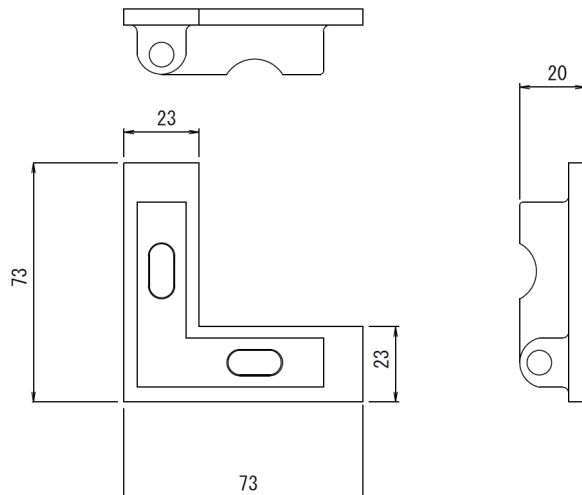
• A simplified level that is useful to measure the horizontality in the X-axis and Y-axis directions.



Features

- The main body is made of cast iron.

■ Dimensional drawing Unit : mm



Material : Cast iron
Package : Carton

Product No	Stock No	Weight (kg)
20-65	575-65	0.23