

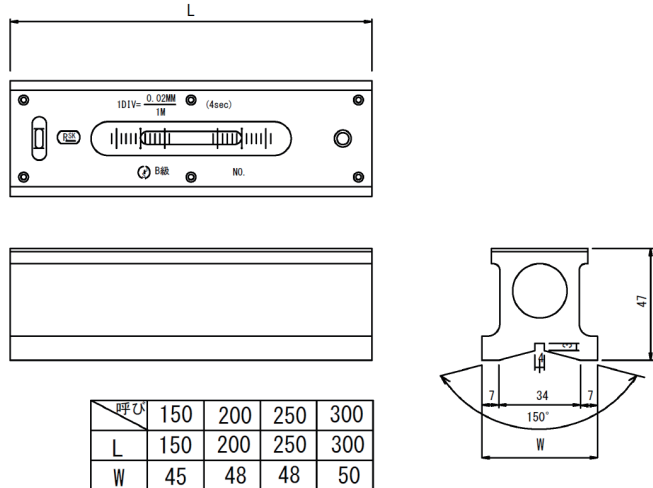
Stock No.542B

Precision flat level (Grade B)

- These levels can measure the horizontality of cylindrical items.



■ Dimensional drawing Unit : mm



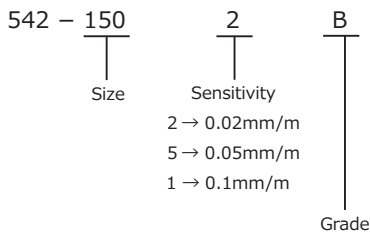
Features

- These levels are manufactured and inspected in accordance with JIS B 7510.

* Levels of JIS Grade B do not have an air chamber.

Material : Cast iron
 Package : Wooden box ,Carton
 Accessories : Hexagonal wrench,
 Certificate of inspection, and Instruction manual.

Configuration of stock number



Product No	Stock No	Size (mm)	Sensitivity (mm/m)	Weight (kg)
07-02-150	542-1502B	150	0.02	1.3
07-02-200	542-2002B	200		1.7
07-02-250	542-2502B	250		2.3
07-02-300	542-3002B	300		2.8
07-05-150	542-1505B	150	0.05	1.3
07-05-200	542-2005B	200		1.7
07-05-250	542-2505B	250		2.3
07-05-300	542-3005B	300		2.8
07-10-150	542-1501B	150	0.1	1.3
07-10-200	542-2001B	200		1.7
07-10-250	542-2501B	250		2.3
07-10-300	542-3001B	300		2.8