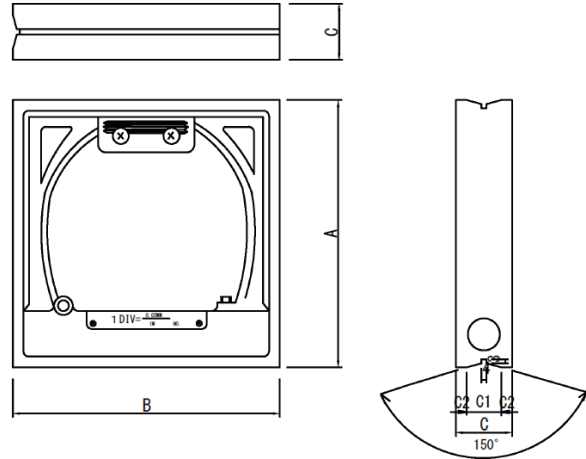


Stock No.541

## Precision square level (Standard type)



■ Dimensional drawing Unit : mm



### Features

- These levels are manufactured in accordance with our company's standards.
- A level of a smaller size (100 mm) than JIS-standard products is also available.
- Total range accuracy: ± 2.0 graduations or less
- Flatness of the bottom, sides and top: 0.01 mm or less
- Squareness of the bottom to the both sides: 0.01 mm or less
- \* The accuracy of the V-shaped planes is not guaranteed.

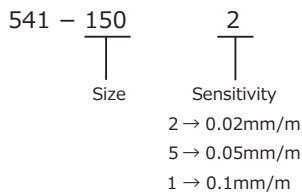
呼心	A	B	C	C1	C2
100	100	100	38	24	7
150	150	150	42	26	8
200	200	200	42	26	8
250	250	250	45	29	8
300	300	300	48	29	8

Material: Cast iron

Package: Wooden box or Carton

Accessories: Hexagonal wrench, Certificate of conformity

### Configuration of stock number



Product No	Stock No	Size (mm)	Sensitivity (mm/m)	Weight (kg)
04-02-100	541-1002	100	0.02	1.0
04-02-150	541-1502	150		2.1
04-02-200	541-2002	200		3.8
04-02-250	541-2502	250		5.8
04-02-300	541-3002	300		7.5
04-05-100	541-1005	100	0.05	1.0
04-05-150	541-1505	150		2.1
04-05-200	541-2005	200		3.8
04-05-250	541-2505	250		5.8
04-05-300	541-3005	300		7.5
04-10-100	541-1001	100	0.1	1.0
04-10-150	541-1501	150		2.1
04-10-200	541-2001	200		3.8
04-10-250	541-2501	250		5.8
04-10-300	541-3001	300		7.5